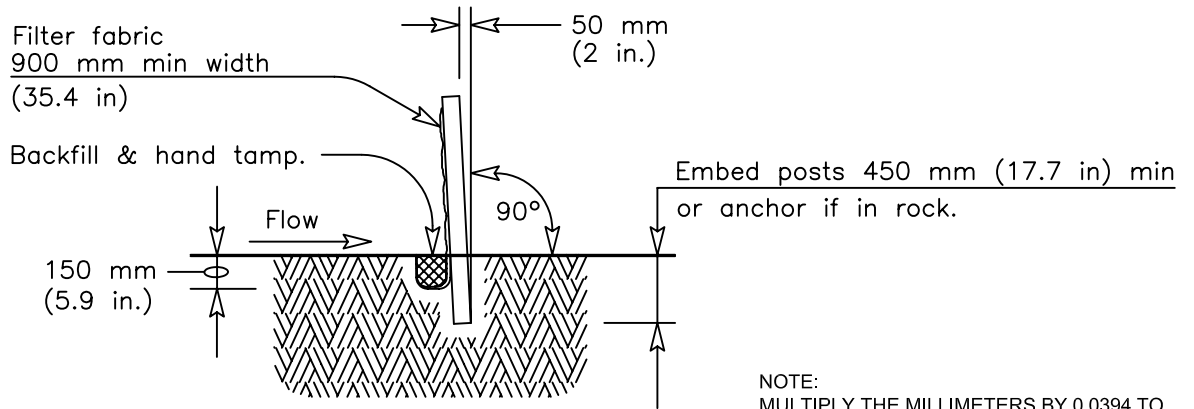


**DISCLAIMER :**

The use of this standard is governed by the "Texas Engineering Practice Act." No warranty of any kind is made by TxDOT for any purpose whatsoever. TxDOT assumes no responsibility for the conversion of this standard to other formats or for incorrect results or damages resulting from its use.



SECTION A-A

SEDIMENT CONTROL FENCE USAGE GUIDELINES

A sediment control fence may be constructed near the downstream perimeter of a disturbed area along a contour to intercept sediment from overland runoff. A 2 year storm frequency may be used to calculate the flow rate to be filtered.

Sediment control fence should be sized to filter a max. flow through rate of  $0.07 \frac{m^3/sec}{m^2}$ . Sediment control fence is not recommended to control erosion from a drainage area larger than .8 ha.

GENERAL NOTES

1. The guidelines shown hereon are suggestions only and may be modified by the Engineer.

01\_SEDCONT.DWG



**CITY OF LUFKIN**  
 ENGINEERING DEPARTMENT  
 P.O. BOX 190  
 LUFKIN, TEXAS 75902-0190  
 PHONE: (936) 633-0414

**EROSION CONTROL STANDARDS**

**SEDIMENT CONTROL  
 SILT FENCE DETAIL**

01

10-29-03