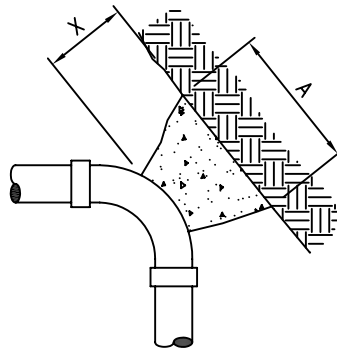
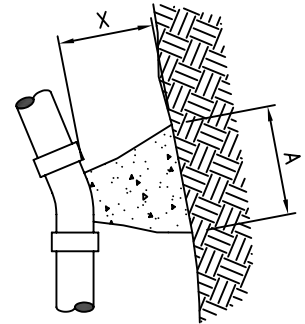


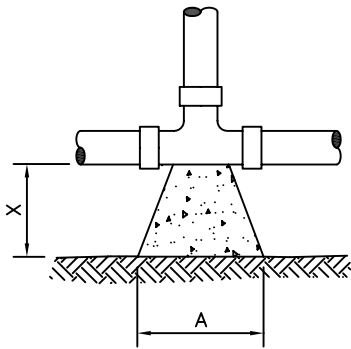
THRUST BLOCK



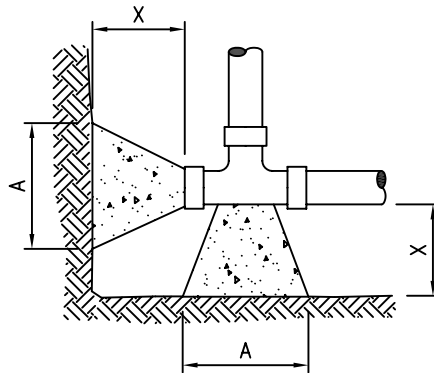
BEND



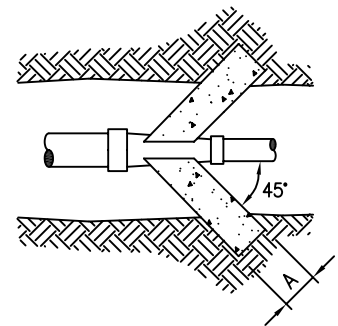
22-1/2 BEND



TEE



TEE WITH PLUG



REDUCER

PIPE SIZE	TEES			90° BEND			45° BEND			22 1/2° BEND			REDUCER	
	A	B	X	A	B	X	A	B	X	A	B	X	A	B
3"	9"	4"	4"	12"	6"	6"	9"	4"	4"	6"	3"	3"	6"	4"
4"	9"	6"	6"	12"	9"	6"	12"	6"	6"	9"	4"	4"	9"	4"
6"	15"	9"	6"	21"	12"	9"	15"	9"	6"	12"	6"	6"	12"	9"
8"	18"	12"	9"	24"	18"	12"	20"	12"	9"	15"	9"	6"	12"	12"
10"	24"	15"	9"	2'-6"	24"	18"	24"	16"	9"	18"	12"	9"	15'	12"
12"	2'-6"	18"	12"	3'-6"	24"	18"	2'-6"	18"	12"	24"	12"	9"	18"	12"
16"	3'-6"	24"	18"	5'-0"	2'-6"	24"	3'-6"	24"	18"	2'-6"	18"	12"	3'-0"	15"

04\_SSCS\_THRUST\_BLK\_DETAIL.Dwg



**CITY OF LUFKIN**  
 ENGINEERING DEPARTMENT  
 P.O. BOX 190  
 LUFKIN, TEXAS 75902-0190  
 PHONE: (936) 633-0414

**SANITARY SEWER STANDARDS**

**THRUST BLOCK DETAILS**

04

10-13-03