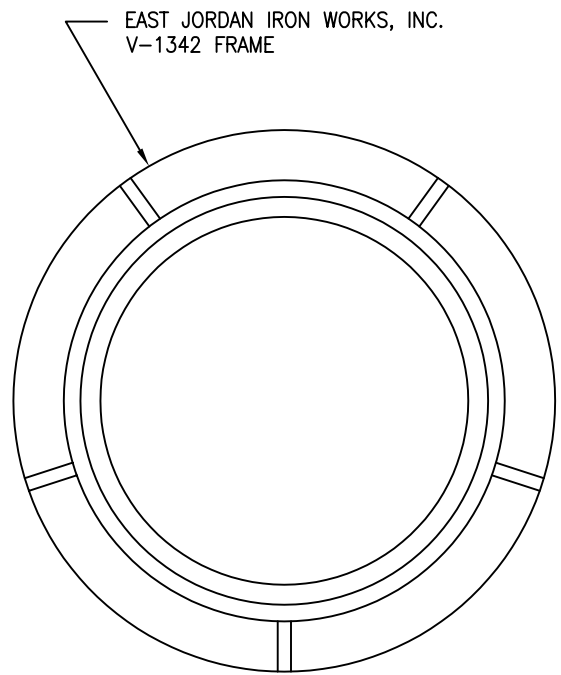
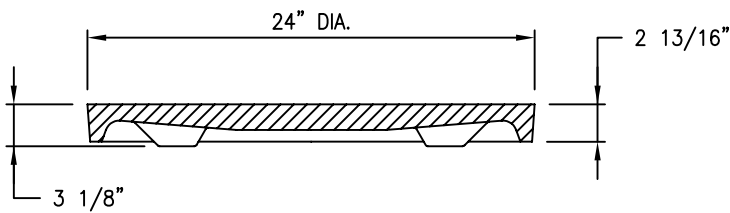


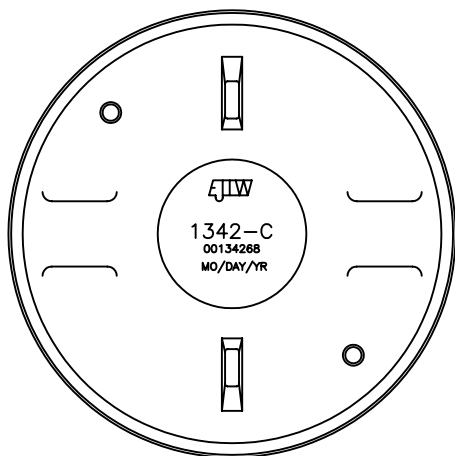
COVER PLAN



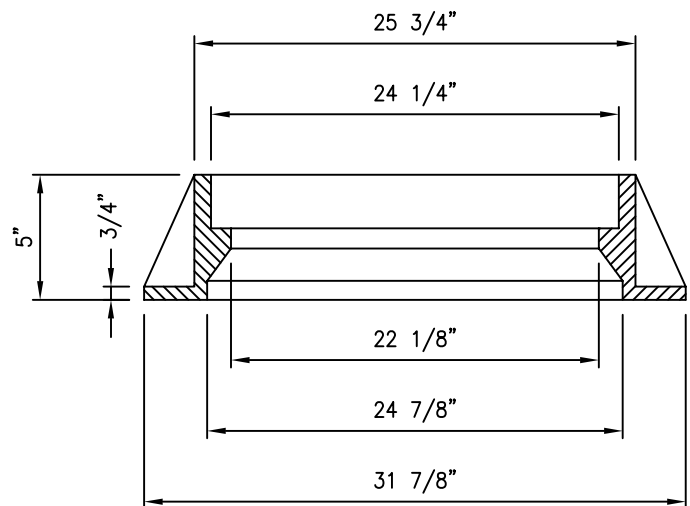
FRAME PLAN



COVER SECTION



BOTTOM VIEW OF COVER



FRAME SECTION

06_SSCS_MH_COVER.Dwg



CITY OF LUFKIN
 ENGINEERING DEPARTMENT
 P.O. BOX 190
 LUFKIN, TEXAS 75902-0190
 PHONE: (936) 633-0414

SANITARY SEWER STANDARDS

SANITARY SEWER MANHOLE COVER

06

10-13-03