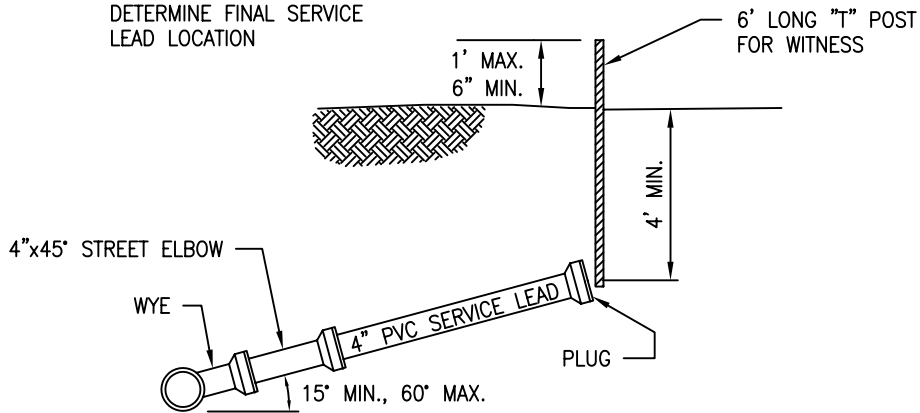


NOTE: CONTRACTOR SHALL CONTACT
PROPERTY OWNER TO
DETERMINE FINAL SERVICE
LEAD LOCATION



09_SSCS_SEW_SERVICE.Dwg



CITY OF LUFKIN
ENGINEERING DEPARTMENT
P.O. BOX 190
LUFKIN, TEXAS 75902-0190
PHONE: (936) 633-0414

SANITARY SEWER STANDARDS

**STANDARD SANITARY
SEWER SERVICE**

09

10-13-03