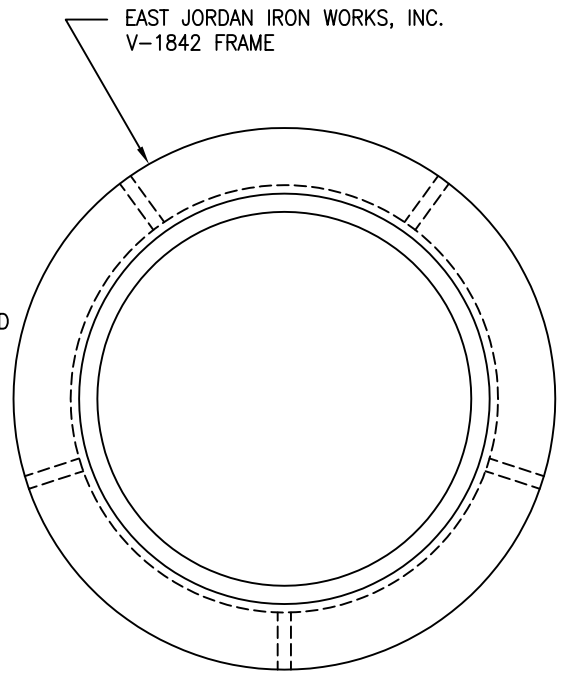
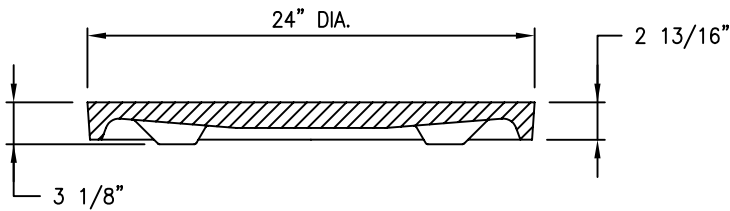


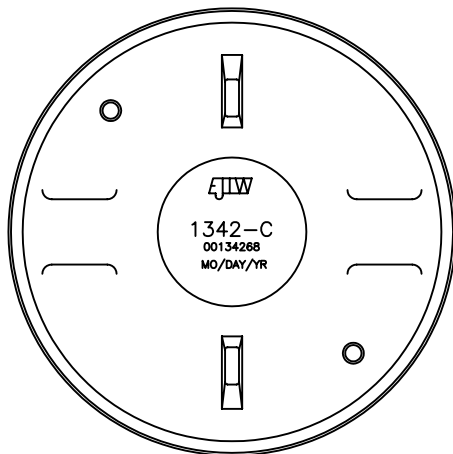
COVER PLAN



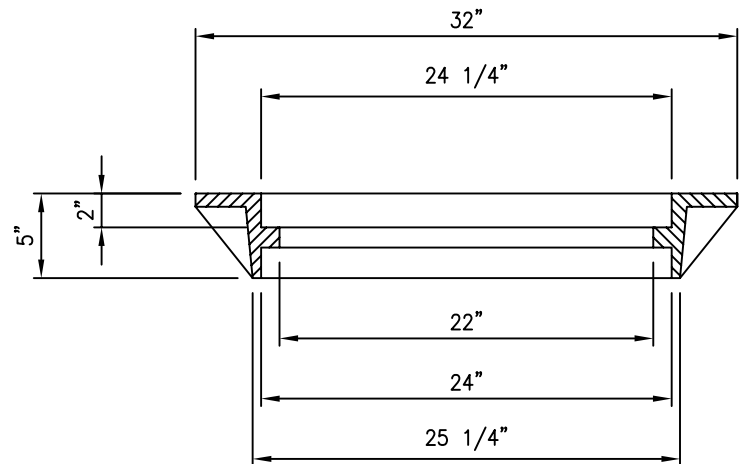
FRAME PLAN



COVER SECTION



BOTTOM VIEW OF COVER



1842 FRAME SECTION

02_STORM_SEWER_FRAME_1842



CITY OF LUFKIN
ENGINEERING DEPARTMENT
P.O. BOX 190
LUFKIN, TEXAS 75902-0190
PHONE: (936) 633-0414

STORM SEWER STANDARDS

STORM SEWER FRAME AND COVER

02

10-13-03