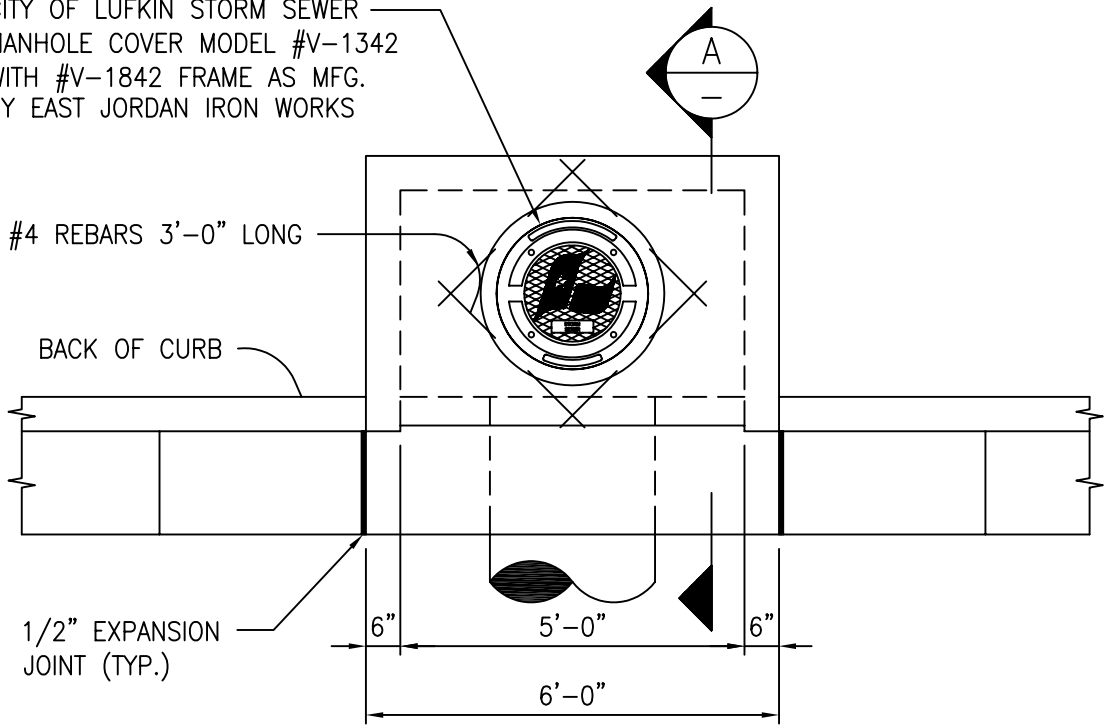
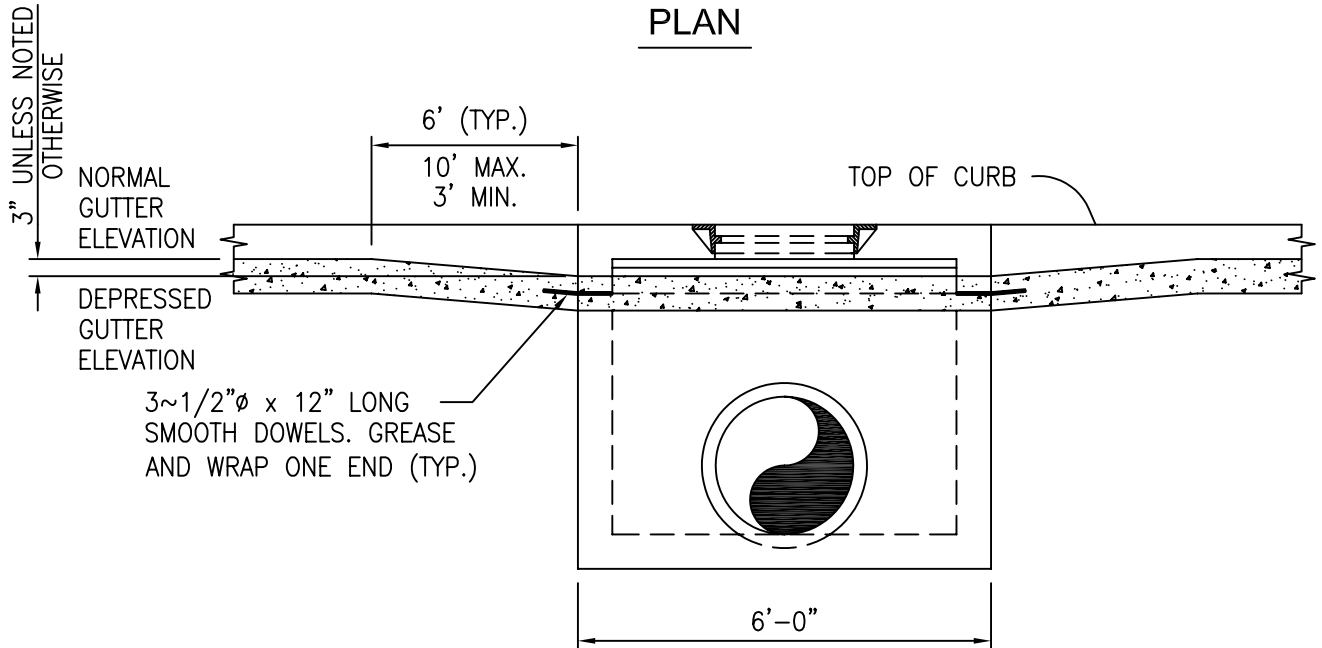


CITY OF LUFKIN STORM SEWER  
 MANHOLE COVER MODEL #V-1342  
 WITH #V-1842 FRAME AS MFG.  
 BY EAST JORDAN IRON WORKS



PLAN



ELEVATION

04\_CURB\_INLET\_TYPE\_A.DWG



**CITY OF LUFKIN**  
 ENGINEERING DEPARTMENT  
 P.O. BOX 190  
 LUFKIN, TEXAS 75902-0190  
 PHONE: (936) 633-0414

**STORM SEWER STANDARDS**

TYPE "A" CURB INLET

04

01-13-04