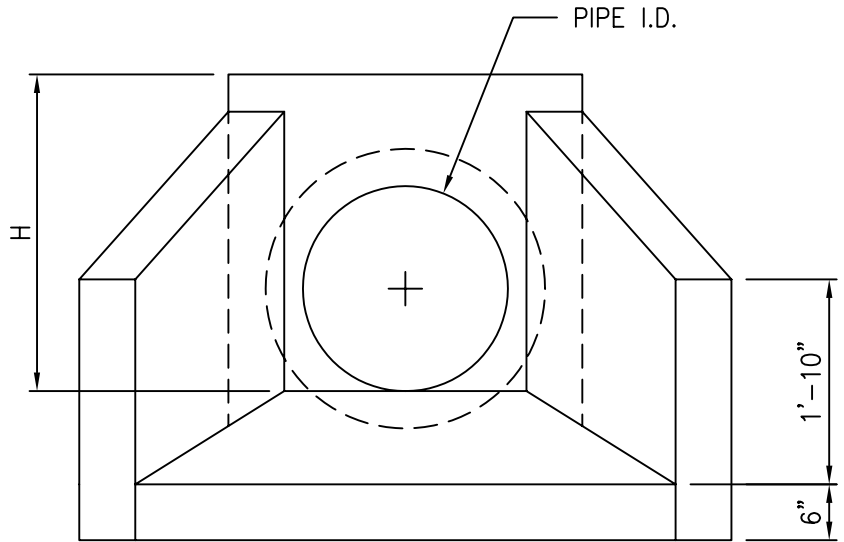
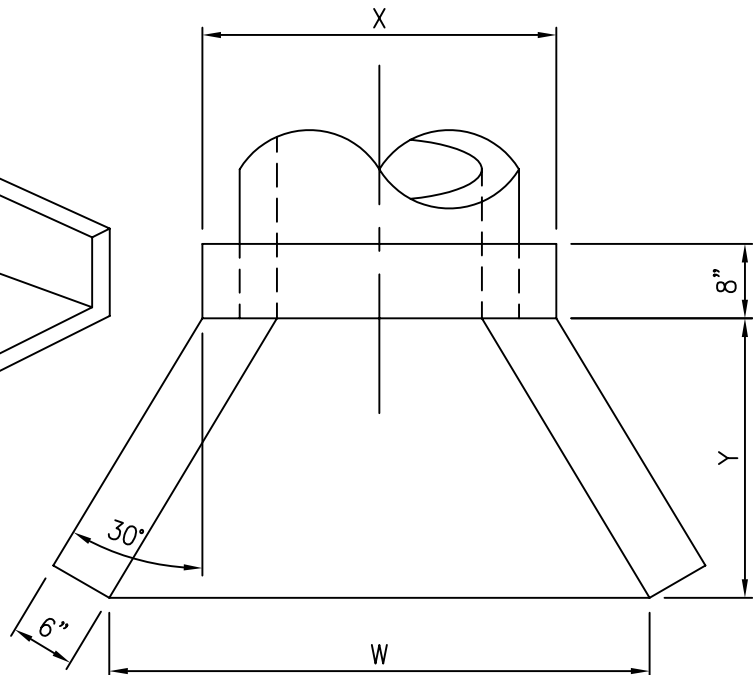
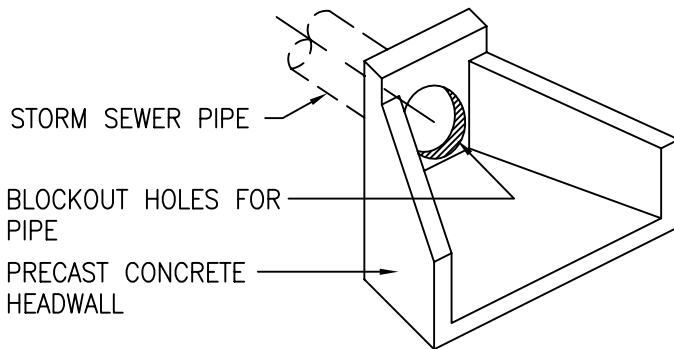


PIPE DIAMETER	TABLE OF DIMENSIONS				
	X	H	Y	W	WEIGHT
12"	2'-11½"	2'-5½"	1'-11¾"	4'-2½"	2663#
15"	2'-11½"	2'-5½"	1'-11¾"	4'-2½"	2619#
18"	2'-11½"	2'-5½"	1'-11¾"	4'-2½"	2566#
21"	3'-2"	3'-0"	3'-0"	4'-11"	4227#
24"	3'-2"	3'-0"	3'-0"	4'-11"	4156#



ELEVATION



TOP VIEW

SPECIFICATIONS

CONCRETE: Class 1 concrete with of design strength of 4500 PSI at 28 days. Unit is of monolithic construction including walls and floor.

REINFORCEMENT: Grade 60 reinforced. No. 4 steel rebar to conform to ASTM A615 on required centers or equal.

13_PRECAST_CONC_HDWL.Dwg



CITY OF LUFKIN
 ENGINEERING DEPARTMENT
 P.O. BOX 190
 LUFKIN, TEXAS 75902-0190
 PHONE: (936) 633-0414

STORM SEWER STANDARDS

PRECAST CONCRETE HEADWALL

13

10-13-03