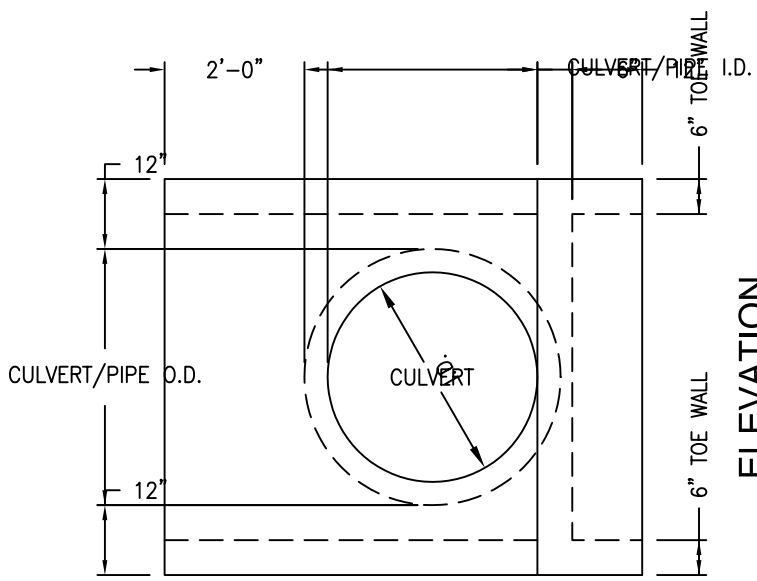
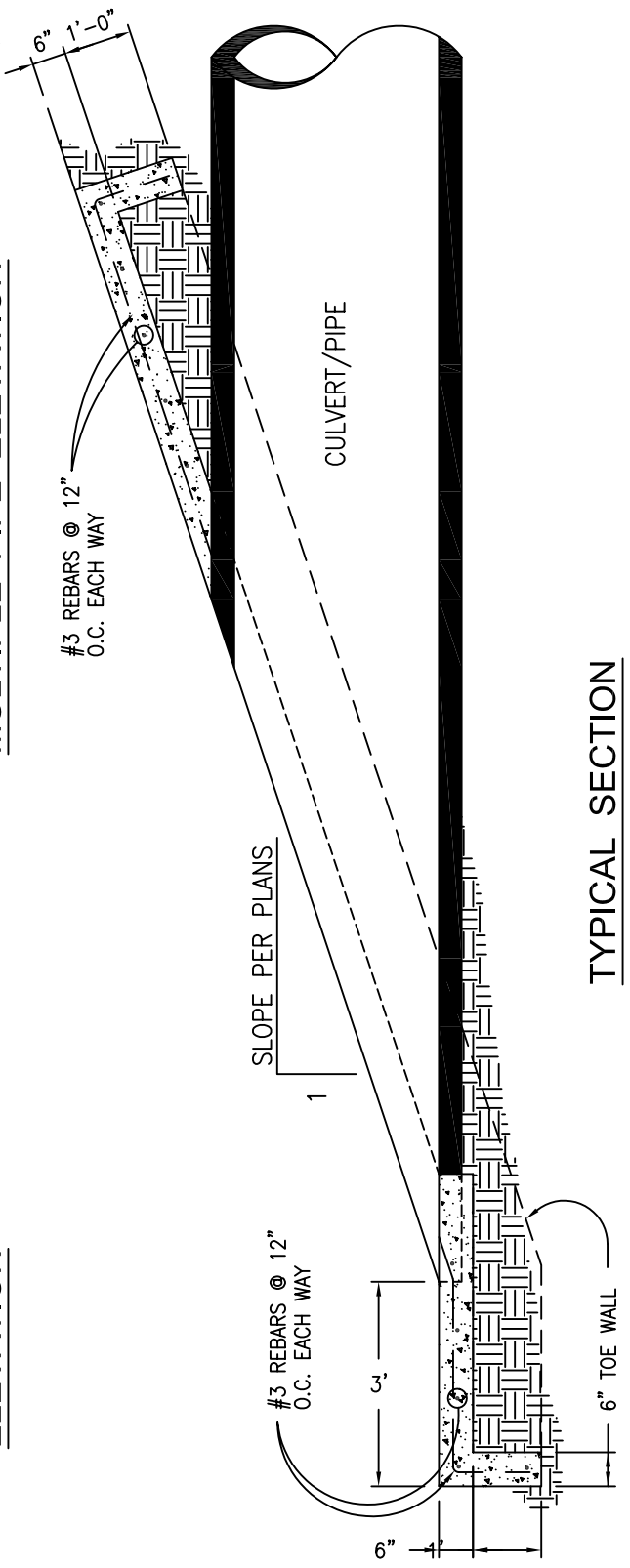


MULTIPLE PIPE ELEVATION



ELEVATION



TYPICAL SECTION

15_SLOPE_PAVEMENT.Dwg



CITY OF LUFKIN
 ENGINEERING DEPARTMENT
 P.O. BOX 190
 LUFKIN, TEXAS 75902-0190
 PHONE: (936) 633-0414

STORM SEWER STANDARDS

SLOPE PAVEMENT

15
 10-13-03