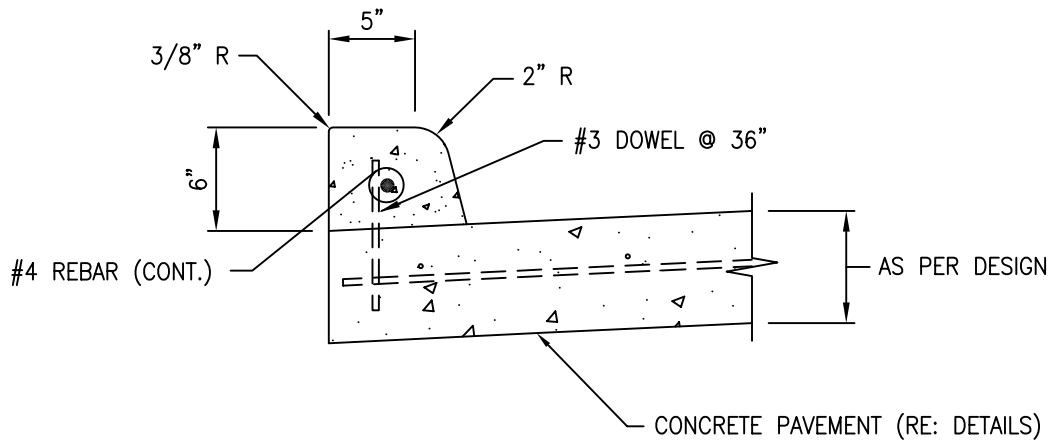


TYPICAL CURB & GUTTER SECTION



TYPICAL DOWELED ON CURB

05_Curb_and_Gutter_Section.Dwg



CITY OF LUFKIN
 ENGINEERING DEPARTMENT
 P.O. BOX 190
 LUFKIN, TEXAS 75902-0190
 PHONE: (936) 633-0414

STREET STANDARDS

TYPICAL CURB AND GUTTER
 SECTIONS

05

3-30-04